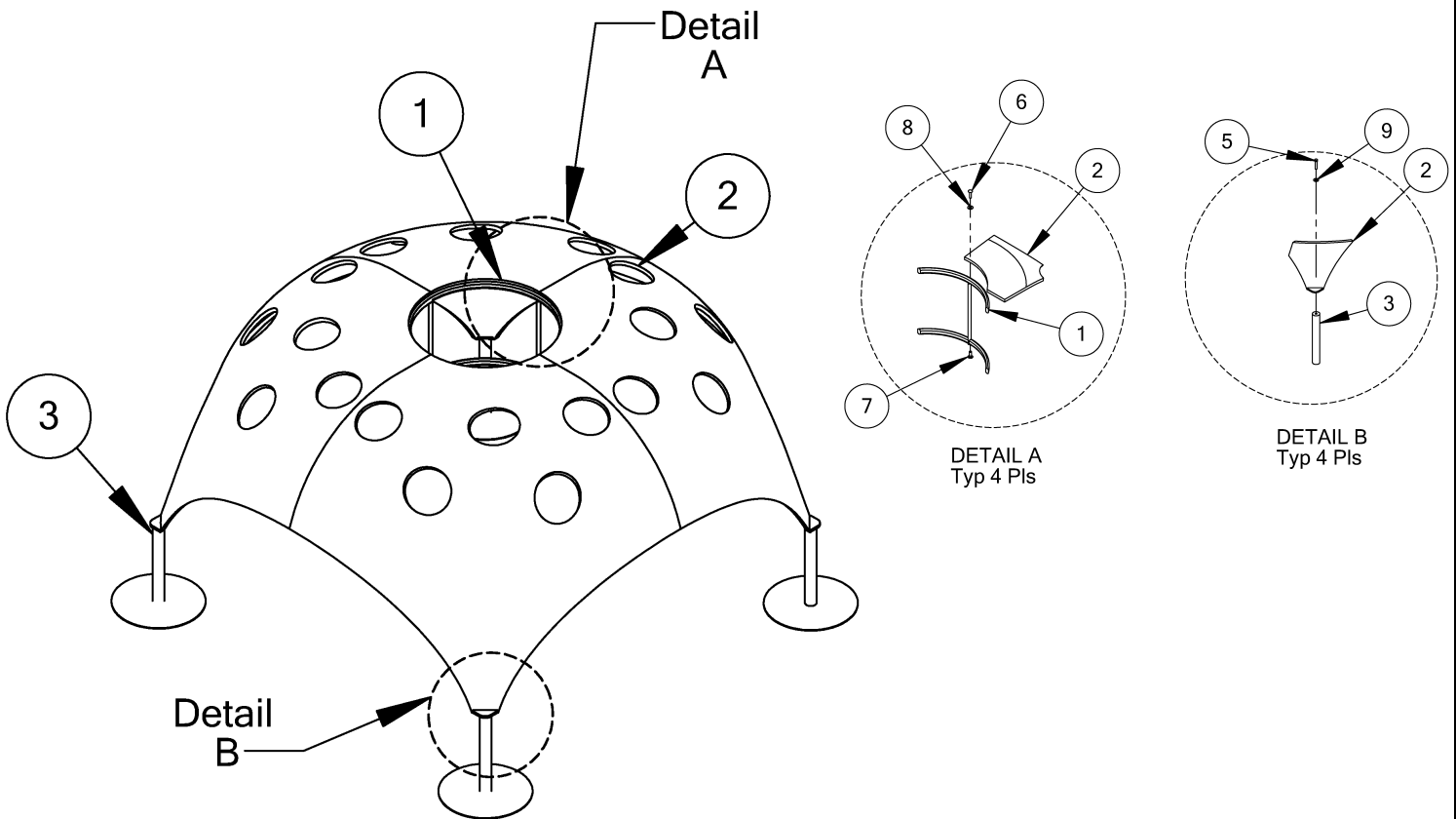


IMPORTANT

Please retain this instruction sheet in your files. It contains important replacement parts information. All equipment should be installed in accordance with these instructions. It is important to use and maintain all public playground equipment properly. Playground equipment, which is improperly maintained, can cause serious injury. Periodical inspections, maintenance, repair and/or replacement of damaged parts is necessary for safe operation of equipment and safety of users. Resilient surfacing should be used under all playground equipment. Appropriate publications, available at no charge, from the Consumer Product Safety Commission, include "A Handbook for Public Playground Safety". You can receive your copy by calling 1-301-504-0708.



PACKING LIST

1	CTN	1	Hardware	Bag
1	CTN	1	113-306	2 - Ring Ladder
1	SKID	1	113-044	Shell
1	BDL	4	113-601	Legs

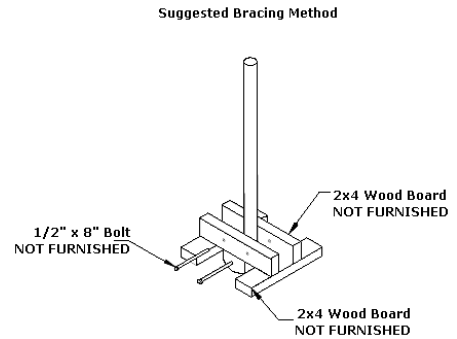
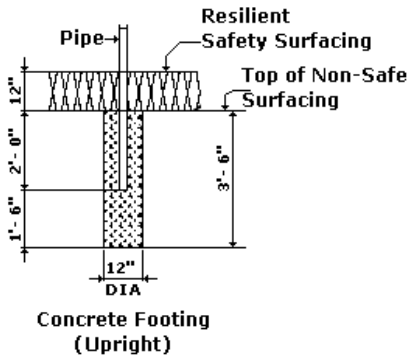
HARDWARE BAG

4	116-608	3/8" x 2" Hex Head Bolt
4	116-535	5/16" x 1 1/2" Button Hd Bolt
4	216-512	5/16" Button Hd Nut
4	326-501	5/16" Lock Washer
2	416-350	3/16" Socket Key
4	326-601	3/8" Lock Washer
1	805-532	Warning Label
1	805-534	SportsPlay Label
1		Maintenance Checklist

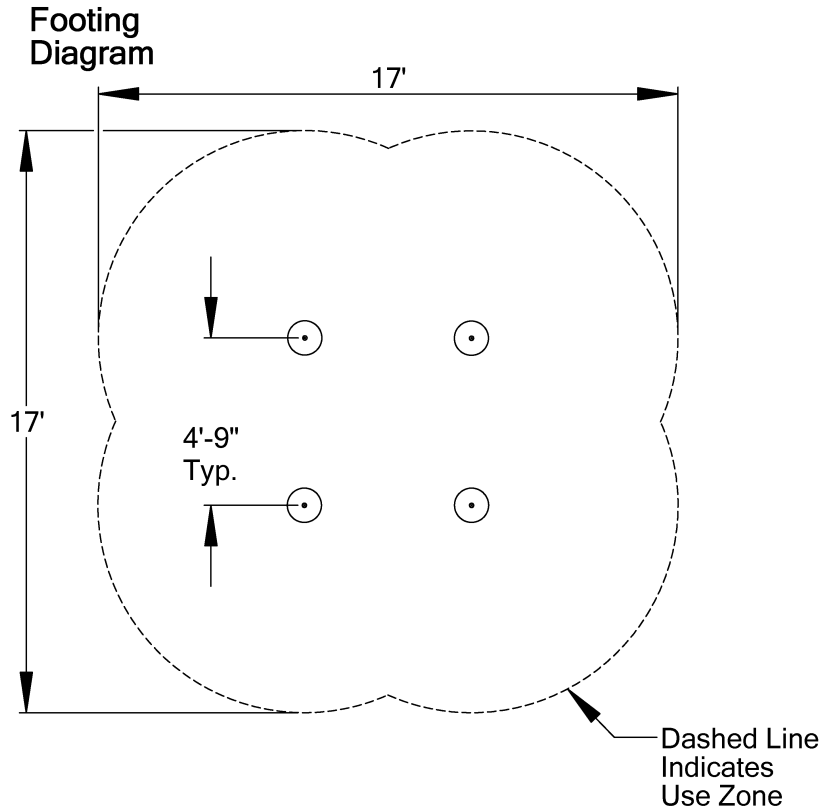
2 CTN	1 BDL	1 SKID	4 TOTAL PCS	WT 210#	CLASS 70
-------	-------	--------	-------------	---------	----------

GENERAL USE/FALL ZONE & FOOTING RECOMMENDATIONS

Stationary & Portable equipment - Use/Fall Zones should extend a minimum of 6 feet in all directions from the perimeter of the equipment ground space. This area should be covered with the required amount of resilient safety surfacing material. For some equipment - Use/Fall Zones can overlap. See Consumer Product Safety Commission Guidelines. Diameter & Depth of footings illustrated are satisfactory in most applications for pipe sizes up to 2 3/8" diameter. Varying soil & climatic conditions may require deeper & heavier footings in some areas. Check local building codes.



- If resilient surfacing is to be less than 12", then additional pipe should be put in concrete to maintain proper finish grade for equipment.



GENERAL ASSEMBLY INSTRUCTIONS:

Check all the parts and hardware with the packing list to be sure you have received everything needed to assemble this product. CONTACT YOUR LOCAL DISTRIBUTOR WITH NOTIFICATION OF ANY MISSING OR DAMAGED PARTS. Contact must be made within ten days of receipt of your order.

Only hand-tighten nuts & bolts on initial assembly. Final tightening should be done EVENLY after final assembly when unit has been plumbed and leveled.

GENERAL MAINTENANCE INSTRUCTIONS:

Check MONTHLY for loose bolts, damaged or broken parts. Tighten and/or replace immediately.

SPECIFIC ASSEMBLY INSTRUCTIONS:

NOTE: All threaded ends of bolts protruding beyond nuts must be cut off and/or peened to eliminate sharp edges. No more than two threads should extend beyond face of nut. All washers, "T" nuts, and other fastener hardware used on round pipe or tubing must be hammered down to conform to the curved underlying surface to eliminate catch points.

STEP #1: Place 113-306, 2-Ring Ladder onto ground with ring that has (4) holes in it facing upwards.

STEP #2: Place 113-044 shell on top of 2-Ring Ladder so that the ladder will be beneath the shell.

STEP #3: Attach 2-Ring Ladder to Shell using 5/16" x 1-1/2" Button Head Bolts, 5/16" Lock Washers, and 5/16" Button Head Nuts. Tighten Button Head Bolts and Nuts with 3/16" Socket Key. See Detail A at the bottom of this page.

STEP #4: Turn shell upside down and attach 113-610 Shell legs to Shell using 3.8" x 2" Hex Head Bolts with 3/8" Lock Washers. See Detail B at the bottom of this page.

STEP #5: Check and tighten all Bolts and Nuts.

STEP #6: Turn shell over onto its legs and position, mark and dig holes. See footing drawing on page 2.

STEP #7: Use suggested bracing method on page 2 for holding completed assembly in position while pouring concrete into footing holes.

STEP #8: Allow at least 48 hours for concrete to harden before using equipment.

STEP #9: Attach Warning Label and Manufacturer's Identification Label to a clean surface. The Labels should be attached in a location where they are clearly visible and legible and away from normal hand and foot placement areas. The Labels must be replaced if they become illegible, destroyed or removed. Contact your Distributor for replacement Labels.